

Generac Portable Generator GP18000EFI

The Generac Portable Generator GP18000EFI is equipped with an 816cc engine with electronic fuel injection. Powerful and efficient, it provides up to 9 hours of runtime at 50% load. TruePower Technology safely powers sensitive electronics, appliances and tools while onboard COsense Technology provides powerful protection against hazardous carbon monoxide. The Generac Portable Generator GP18000EFI also features electric start (battery included), low-oil shutdown protection, circuit breaker protected outlets, and an hour meter with maintenance resets. The included never-flat wheel kit and available lifting eye accessory makes transporting this powerful generator easy. Item #: GEN-GP18000EFI



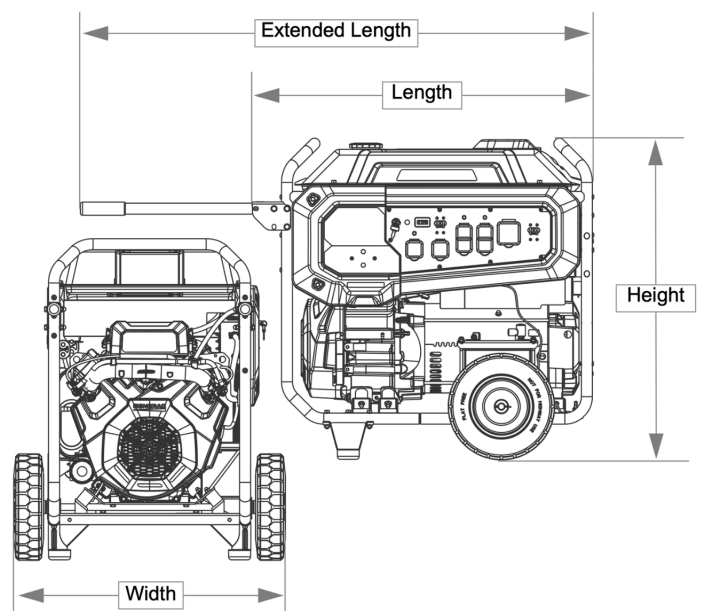
Item #: GEN-GP18000EFI

Features

- COsense Technology – STOPS, ALERTS, SAVES. Powerful protection from hazardous carbon monoxide
- Generac 816cc EFI engine delivers the right amount of power to get the best performance and efficiency out of your engine
- True Power Technology with less than <5% THD to safely power sensitive electronic equipment in your home
- Low-oil pressure shutdown automatically safeguards engine from damage
- Large-capacity fuel tank with incorporated fuel gauge provides durability and extended run times
- Hardened 1 1/4" steel tube cradle for added strength and durability
- Hour Meter tracks maintenance intervals
- Heavy-duty, never-flat wheels for reliable portability
- ElectricStart (battery included): Provides hassle-free start-up

Dimensions and Weights

Length in (mm)	58.5 (1485)
Width in (mm)	30.9 (785.5)
Height in (mm)	36.5 (928.1)
Carton Length in (mm)	40 (1016)
Carton Width in (mm)	27 (685.8)
Carton Height in (mm)	37.7 (958.2)
Unit Weight lbs (kg)	439.2 (213)
Shipping Weight lbs (kg)	469.2 (199)



Next Page >

Generac Portable Generator GP18000EFI

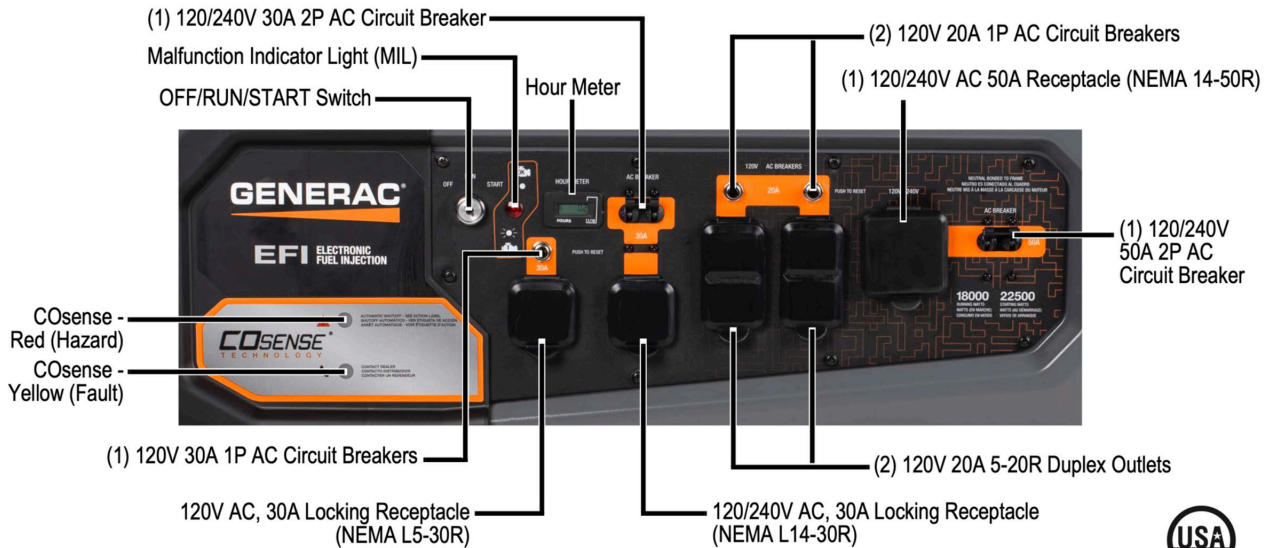
Product Series	GEN-GP18000EFI
Model (Configuration)	7706-0 (EPA/49-State)
AC Rated Output Running Watts	18000
AC Maximum Output Motor Starting Watts	22500
Rated AC Voltage	120/240 VAC
Rated AC Frequency	60 Hz
Rated VAC Amperage	75/150
Engine Displacement	816cc
Engine Type	OHVI
Engine RPM	3600
Recommended Oil	10W-30 / SAE30
Oil Capacity qt (L)	<ul style="list-style-type: none"> • w/ Filter Change: 2.2 (2.1) • w/o Filter Change: 2.0 (1.95)
Lubrication Method	Oil Pump
Automatic Voltage Regulation (AVR)	Yes
Starting Method	Electric
Low Oil Shutdown Method	Low Pressure
Battery Included	Yes
Battery Type	Group U1

Batter Part Number	N/A (Replacement batteries must be purchased locally)
Battery Dimensions	Group U1 has a standard case size
Neutral Bonded to Ground	Yes – Neutral Bonded to Frame
Start Switch Type	Off / Run / Start Switch
Switch Location	On Control Panel
Fuel Gauge	Built-in Tank
Fuel Tank Capacity Gal (L)	14.2 (54.0)
Run Time at 50% Load (Hours)	9
Handle Style	Folding, Locking
Wheel Type	12" Never-flat Wheels
Warranty (Residential)	3 Year Limited
Warranty (Commercial)	2 Year Limited

Next Page >

Generac Portable Generator GP18000EFI

49-State Control Panel



*Assembled in the USA using domestic and foreign parts