

## Evolve Mobile PAPER Charging Cart

Heavy duty and agile, the Evolve Mobile PAPER Charging Cart is the ideal solution for charging and storing a suite of PAPER systems. It enables users to charge and maintain twelve (12) PAPER systems so they are ready to just grab and go at any time (accommodates most PAPER charging configurations). Users simply leave all twelve (12) PAPER chargers plugged into the top shelf of the cart, and without opening doors the unit can be plugged into a wall socket to charge all twelve (12) PAPERs at the same time. A log (included) attached to outside of the cart keeps record, so all users are aware of charging status. Tamper security tape also included.



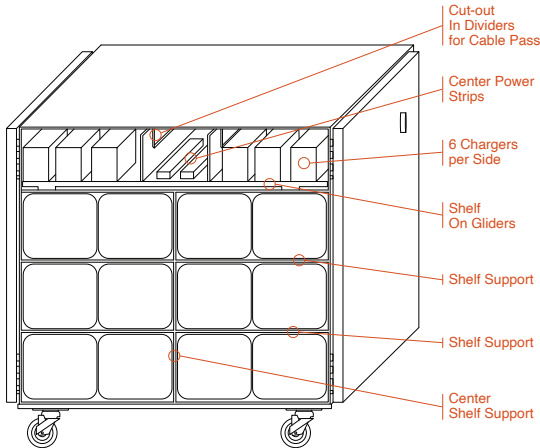
Six (6) shelf cubbies hold twelve (12) complete PAPER systems neatly tucked away (shown in duffel bags). Just grab and go.



Top shelf slides out so users can easily plug in twelve (12) PAPER chargers into the center power strips. Chargers can be stored to the left and right.

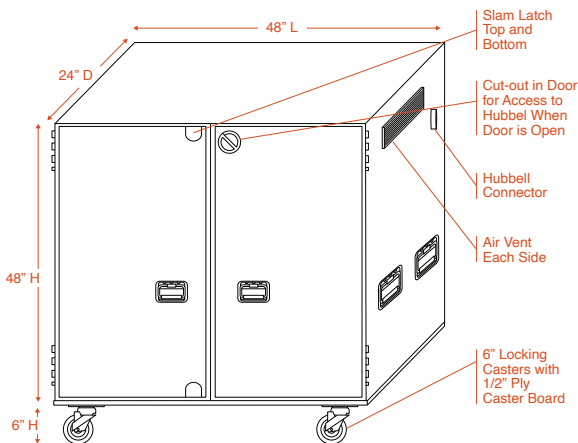


Heavy duty construction and 6 inch casters make this a rugged mobile PAPER charging cart.



### Specifications

- Four (4) Heavy duty 6" casters (2 locking)
- 1/2" ply with ABS (double laminate)
- Slam latch front doors
- Holds 12 PAPER systems- 12 bags on shelves below and 12 charger units on top shelf (accommodates most PAPER charging configurations)
- Two (2) air vents for air circulation
- Sliding top shelf for easy access to charging platform
- Heavy duty slide rails
- Charging electrical strips (wired to single extension outlet on side)
- Front doors fold to side when opened
- Dimensions closed without casters 48" L x 48" H x 24" D
- Dimensions closed with casters 48" L x 54" H x 24" D



### Colors

